

## Details...



### Construction

8-link Stainless Steel arm chain ensures unrivaled strength and durability. Only the highest quality coatings and materials used in Australian manufacturing.



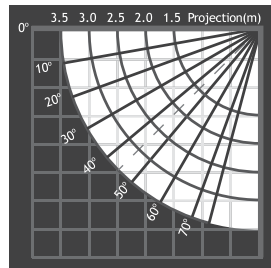
### Protection

Custom powdercoated aluminium extruded pelmet mounts directly to installation brackets. Face or Fascia Fit Colorbond pelmet designs available.



### European Design

Smart and robust design. Aluminium front rail with rain gutter channels water to edges of covered area. 5-year limited warranty on componentry.



### Adjustability

Pitch angle variable on all units\* up to 90° range (\*Installer adjusted unless otherwise specified) Motorised with remote or manual crank operation.

## Colours...



White



Ivory



Silver



Onyx

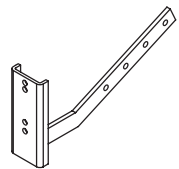
Or



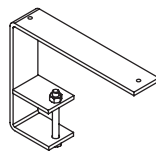
Custom Colour



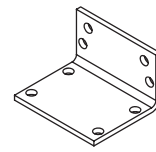
## Custom Brackets...



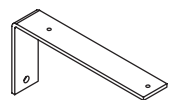
Fascia Bracket  
10° / 22° / 30°



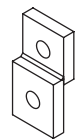
Fascia Fit Bracket  
for Colorbond  
Pelmet



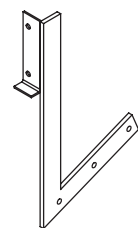
Under Eave Mount  
Bracket  
Large / Small



Face Fit Bracket  
for Colorbond  
Pelmet



Fascia Bracket  
Adaption Plate  
to alter Bracket  
angle



Roof Mount  
Bracket 22°



For your nearest retailer contact:

European elegance built tough for  
Australian conditions

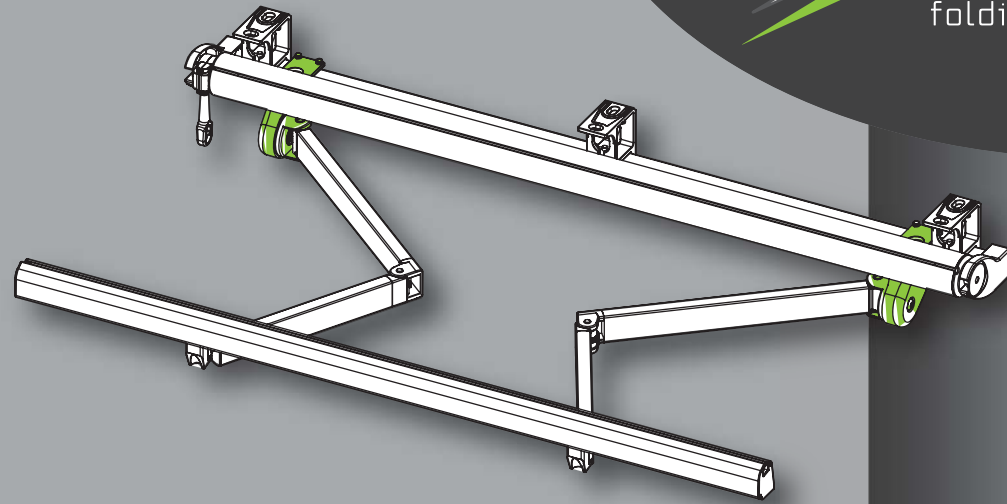
[www.awningsystems.com.au](http://www.awningsystems.com.au)

## The Siena

### Standard

**Max. Size:**  
15,000mm W x 3500mm P

- > 90° pitch range
- > Installer adjusted pitch
- > Extruded pelmet option

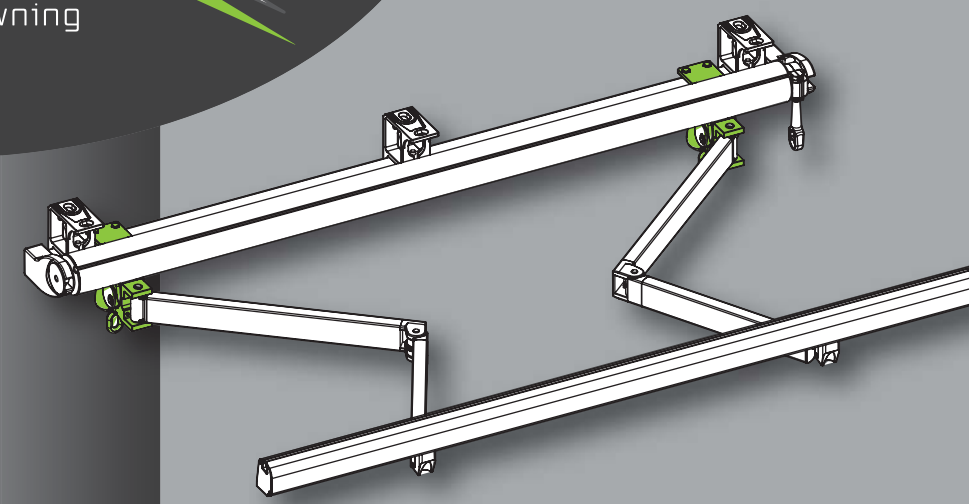


## The Siena

### Pitch

**Max. Size:**  
15,000mm W x 3500mm P

- > 70° pitch range
- > End user adjustable pitch
- > Extruded pelmet option

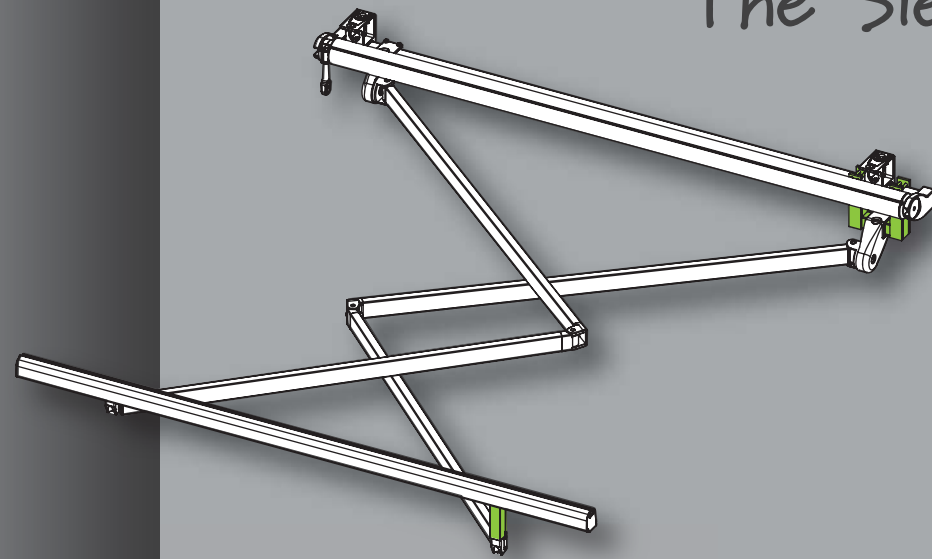


## The Siena

### X-Over

**Max. Size:**  
3940mm W x 3500mm P

- > Projection is greater than the width
- > Arms overlap (one below the other)
- > Extruded pelmet option

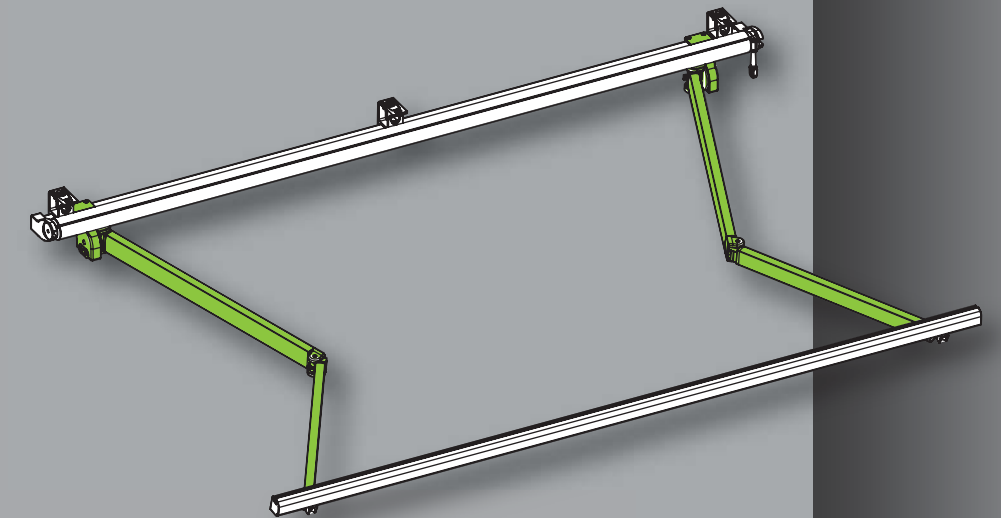


## The Siena

### Extreme

**Max. Size:**  
15,000mm W x 4000mm P

- < 4m projection extreme arms
- < Superior arm tension
- < Installer adjusted pitch
- < Extruded pelmet option

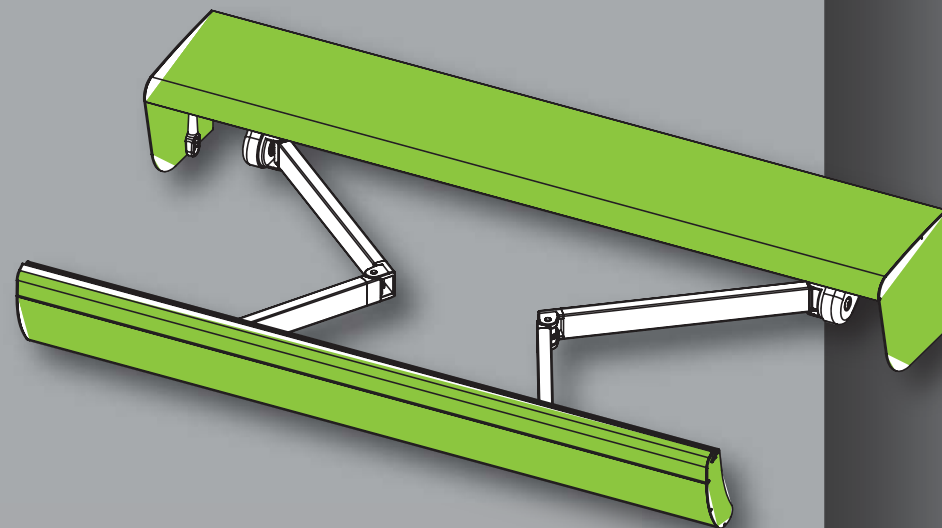


## The Siena

### Semi-Cassette

**Max. Size:**  
6000mm W x 3500mm P

- > Contoured front rail profile conceals arms
- > Standard & Pitch options available
- > Extruded pelmet included
- > Additional pelmet brackets not required



## The Siena

### Cassette

**Max. Size:**  
4900mm W x 3500mm P

- > Fully enclosed aluminium cassette
- > Contemporary slim design
- > End Mounted
- > Motorisation recommended

